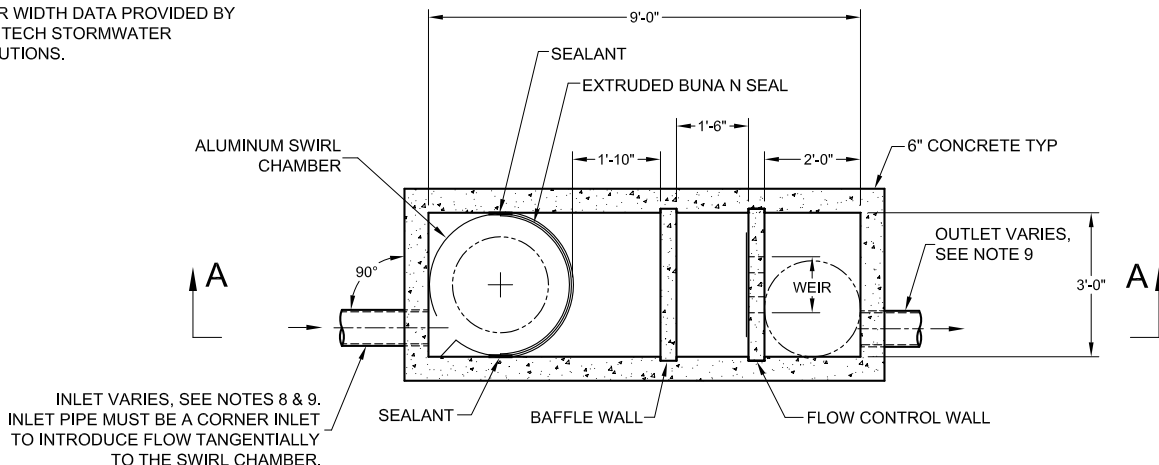
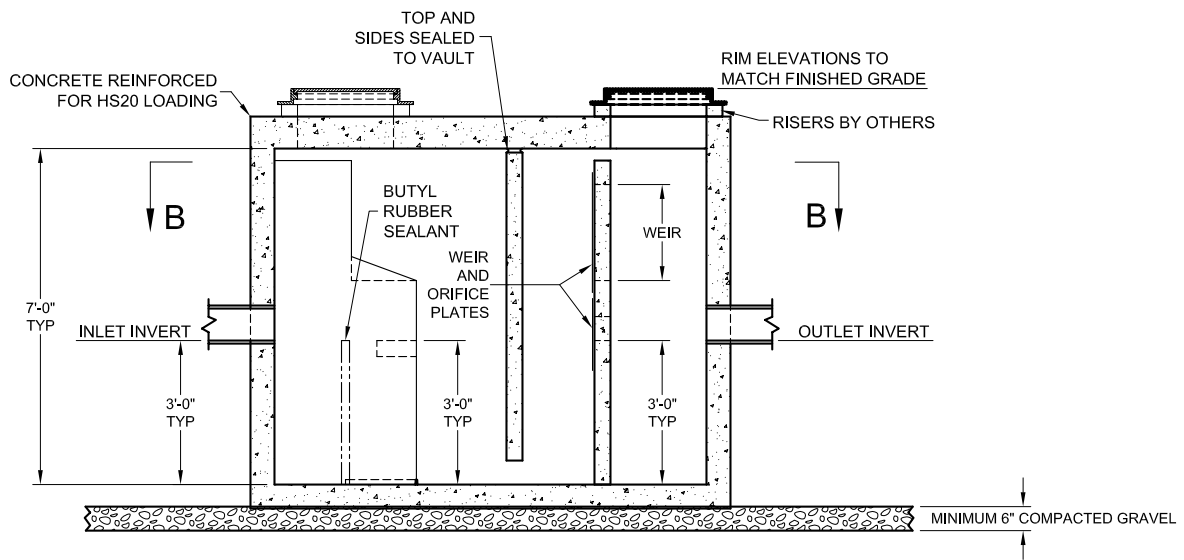


NOTE:
 VORTECHS SYSTEMS INSTALLED IN
 A BYPASS CONFIGURATION
 REQUIRE AN UPSTREAM DIVERSION
 STRUCTURE THAT SHALL BE
 DETAILED BY THE CONSULTING
 ENGINEER WITH ELEVATION AND
 WEIR WIDTH DATA PROVIDED BY
 CONTECH STORMWATER
 SOLUTIONS.



PLAN VIEW B - B



SECTION A - A

- NOTES:
1. STORMWATER TREATMENT SYSTEM (SWTS) SHALL HAVE:
 PEAK TREATMENT CAPACITY: 1.6 CFS
 SEDIMENT STORAGE: 0.75 CU YD
 SEDIMENT CHAMBER DIA: 3' MIN
 2. SWTS SHALL BE CONTAINED IN ONE RECTANGULAR STRUCTURE
 3. SWTS REMOVAL EFFICIENCY SHALL BE DOCUMENTED BASED ON PARTICLE SIZE
 4. SWTS SHALL RETAIN FLOATABLES AND TRAPPED SEDIMENT UP TO AND INCLUDING PEAK TREATMENT CAPACITY
 5. SWTS INVERTS IN AND OUT ARE TYPICALLY AT THE SAME ELEVATION
 6. SWTS SHALL NOT BE COMPROMISED BY EFFECTS OF DOWNSTREAM TAILWATER
 7. SWTS SHALL HAVE NO INTERNAL COMPONENTS THAT OBSTRUCT MAINTENANCE ACCESS
 8. INLET PIPE MUST BE PERPENDICULAR TO THE STRUCTURE
 9. PIPE ORIENTATION MAY VARY; SEE SITE PLAN FOR SIZE AND LOCATION
 10. PURCHASER SHALL NOT BE RESPONSIBLE FOR ASSEMBLY OF UNIT
 11. MANHOLE FRAMES AND PERFORATED COVERS SUPPLIED WITH SYSTEM, NOT INSTALLED
 12. PURCHASER TO PREPARE EXCAVATION AND PROVIDE CRANE FOR OFF-LOADING AND SETTING AT TIME OF DELIVERY
 13. VORTECHS SYSTEMS BY CONTECH STORMWATER SOLUTIONS; PORTLAND, OR (800) 548-4667; SCARBOROUGH, ME (877) 907-8676; ELKRIDGE, MD (866) 740-3318.

PROPRIETARY INFORMATION - NOT TO BE USED FOR CONSTRUCTION PURPOSES

This CADD file is for the purpose of specifying stormwater treatment equipment to be furnished by CONTECH Stormwater Solutions and may only be transferred to other documents exactly as provided by CONTECH Stormwater Solutions. Title block information, **excluding** the CONTECH Stormwater Solutions logo and the Vortechs Stormwater Treatment System designation and patent number, may be deleted if necessary. Revisions to any part of this CADD file without prior coordination with CONTECH Stormwater Solutions shall be considered unauthorized use of proprietary information.



STANDARD DETAIL
 STORMWATER TREATMENT SYSTEM
 VORTECHS® MODEL 1000

U.S. PATENT No. 5,759,415

DATE: 4/8/06	SCALE: NONE	FILE NAME: STD1k	DRAWN: GMC	CHECKED: NDG
--------------	-------------	------------------	------------	--------------