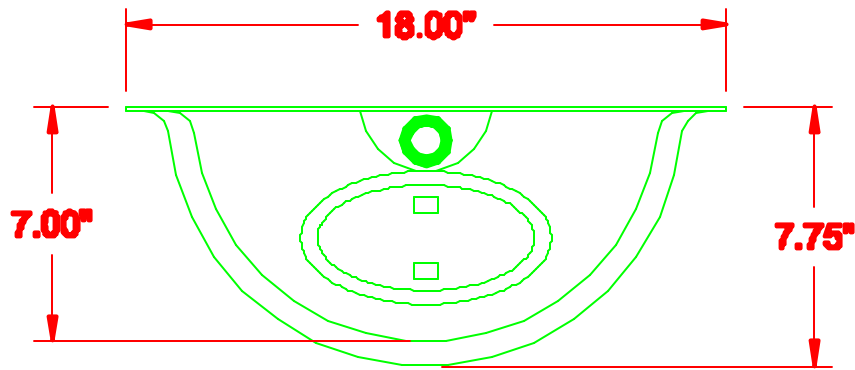


FRONT

SIDE



PLAN

US PATENT #6128617 ADDITIONAL PATENTS PENDING

<p>BMP, INC. 63 MT. ARCHER ROAD, LYME, CT. 06371 (800) 604-8008 FAX: (860) 434-3195</p>		
<p>DESCRIPTION</p> <p>12F SNOUT OIL & DEBRIS STOP</p>	<p>DATE</p> <p>09/01/99</p>	<p>SCALE</p> <p>NONE</p>
		<p>DRAWING NUMBER</p> <p>12F</p>